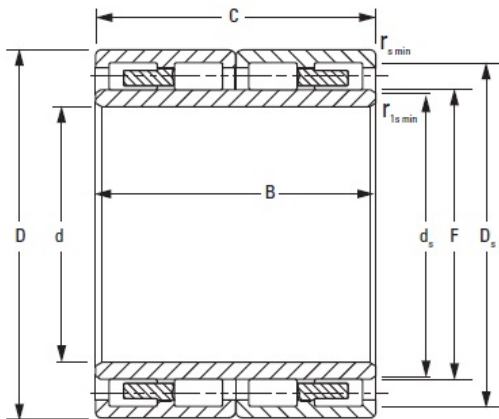




Ldpd Double Row Inc



200RYL1585 TIMKEN TAPERED ROLLER BEARINGS

Bearing No. 200RYL1585

Bore d	200 mm
O.D. D	290.000 mm
Width B	192.000 mm
Width C	192.000 mm
DUR/DOR F/E	226.000 mm
Type	RY-6
Static Load Rating C_0	1774 kN
Dynamic Load Rating C_1^1	3208 kN
Weight	92.100 lb
Chamfer r_{smin}	2.10 mm
Chamfer r_{1smin}^2	2.1 mm
Backing Shaft Diameter d_s	220.6 mm
Backing Housing Diameter D_s	270.0 mm
Inner-Ring Set	200ARVSL1585
Outer-Ring Set	226RYSL1585

200RYL1585 Bearing 2D drawings and 3D CAD models