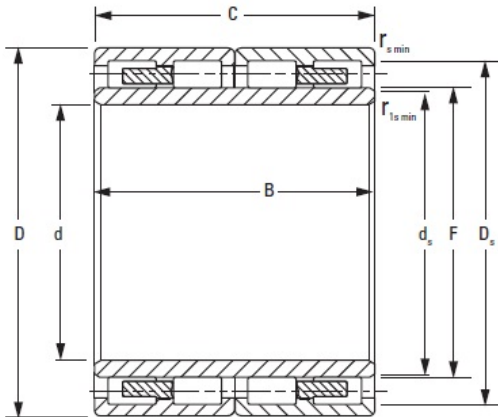




# Ldpd Double Row Inc



## 280RYL1783 TIMKEN TAPERED ROLLER BEARINGS

Bearing No. 280RYL1783

Bore d	280 mm
O.D. D	390.000 mm
Width B	220.000 mm
Width C	220.000 mm
DUR/DOR F/E	312.000 mm
Type	RY-6
Static Load Rating $C_0$	2620 kN
Dynamic Load Rating $C_1^1$	5200 kN
Weight	180.200 lb
Chamfer $r_{smin}$	4.00 mm
Chamfer $r_{1smin}^2$	4.0 mm
Backing Shaft Diameter $d_s$	305.2 mm
Backing Housing Diameter $D_s$	364.0 mm
Inner-Ring Set	280ARVSL1783
Outer-Ring Set	312RYSL1783

280RYL1783 Bearing 2D drawings and 3D CAD models