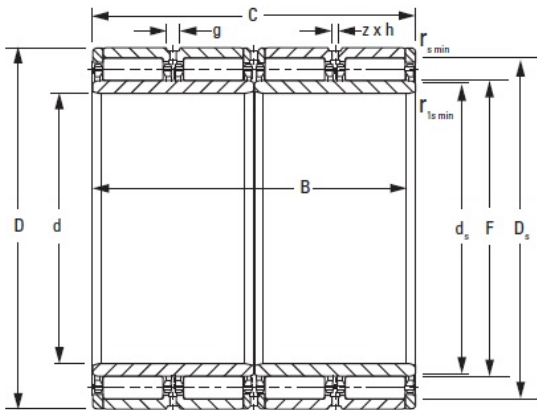




Ldpd Double Row Inc



300RX1846 TIMKEN TAPERED ROLLER BEARINGS

Bearing No. 300RX1846

300RX1846 Bearing 2D drawings and 3D CAD models

Bore d	300 mm
O.D. D	420.000 mm
Width B	300.000 mm
Width C	300.000 mm
DUR/DOR F/E	332.000 mm
Type	RX-1
Static Load Rating C_0	4140 kN
Dynamic Load Rating C_1^1	8720 kN
Weight	287.000 lb
Chamfer r_{smin}	3.50 mm
Chamfer r_{1smin}^2	7.0 mm
Angle of Chamfer r_{1smin}	20 °
Backing Shaft Diameter d_s	325.1 mm
Backing Housing Diameter D_s	392.0 mm
Lubrication Groove g	18.0 mm
Lubrication Hole Diameter h	9.0 mm
Number of Lubrication Holes	8
Inner-Ring Set	300ARXS1845B
Outer-Ring Set	332RXS1846