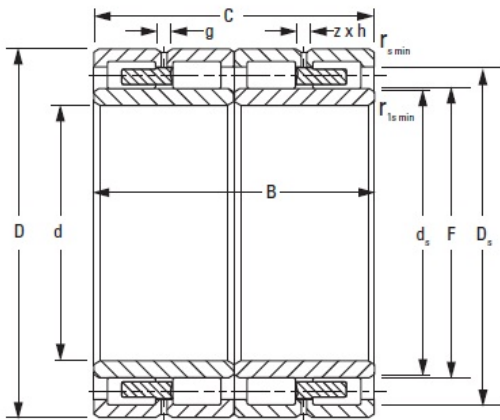




Ldpd Double Row Inc



340RYL1963 TIMKEN TAPERED ROLLER BEARINGS

Bearing No. 340RYL1963

Bore d	340.000 mm
O.D. D	480.000 mm
Width B	350.000 mm
Width C	350.000 mm
DUR/DOR F/E	378.000 mm
Type	RY-3
Static Load Rating C_0	5180 kN
Dynamic Load Rating C_1^1	10880 kN
Weight	442.900 lb
Chamfer r_{smin}	3.00 mm
Chamfer r_{1smin}^2	8.0 mm
Angle of Chamfer r_{1smin}	20 °
Backing Shaft Diameter d_s	370.6 mm
Backing Housing Diameter D_s	446.0 mm
Inner-Ring Set	340ARYSL1963
Outer-Ring Set	378RYSL1963

340RYL1963 Bearing 2D drawings and 3D CAD models