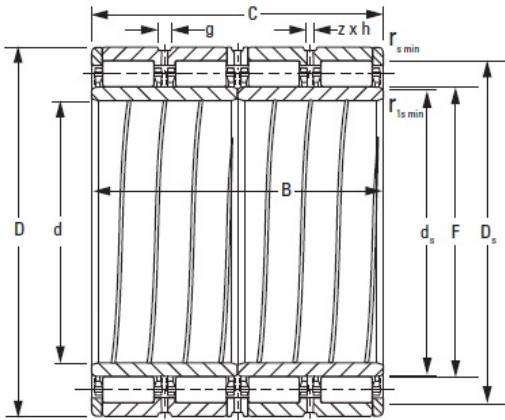




# Ldpd Double Row Inc



## 340RX1965A TIMKEN TAPERED ROLLER BEARINGS

Bearing No. 340RX1965A

340RX1965A Bearing 2D drawings and 3D CAD models

Bore d	340.000 mm
O.D. D	480.000 mm
Width B	310.000 mm
Width C	310.000 mm
DUR/DOR F/E	378.000 mm
Type	RX-5
Static Load Rating $C_0$	4660 kN
Dynamic Load Rating $C_1^1$	9640 kN
Weight	394.200 lb
Chamfer $r_{smin}$	3.00 mm
Chamfer $r_{1smin}^2$	7.0 mm
Angle of Chamfer $r_{1smin}$	20 °
Backing Shaft Diameter $d_s$	370.1 mm
Backing Housing Diameter $D_s$	446.0 mm
Lubrication Groove g	16.0 mm
Lubrication Hole Diameter h	7.5 mm
Number of Lubrication Holes	12
Inner-Ring Set	340ARXS1965A
Outer-Ring Set	378RXS1965A