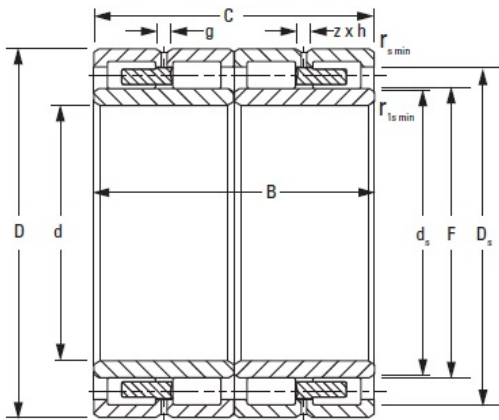




Ldpd Double Row Inc



390RY2103 TIMKEN TAPERED ROLLER BEARINGS

Bearing No. 390RY2103

390RY2103 Bearing 2D drawings and 3D CAD models

Bore d	390.000 mm
O.D. D	550.000 mm
Width B	400.000 mm
Width C	400.000 mm
DUR/DOR F/E	432.204 mm
Type	RY-2
Static Load Rating C_0	6680 kN
Dynamic Load Rating C_1^1	13960 kN
Weight	669.900 lb
Chamfer r_{smin}	4.00 mm
Chamfer r_{1smin}^2	11.0 mm
Angle of Chamfer r_{1smin}	20 °
Backing Shaft Diameter d_s	423.1 mm
Backing Housing Diameter D_s	512.2 mm
Lubrication Groove g	16.0 mm
Lubrication Hole Diameter h	8.0 mm
Number of Lubrication Holes	10
Inner-Ring Set	390ARYS2103
Outer-Ring Set	432RYS2103