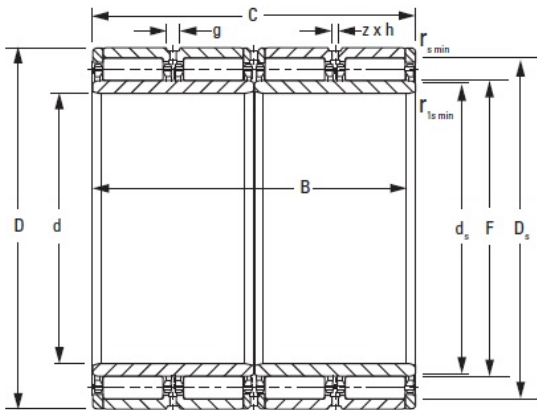




Ldpd Double Row Inc



480RX2303B TIMKEN TAPERED ROLLER BEARINGS

Bearing No. 480RX2303B

Bore d	480.000 mm
O.D. D	650.000 mm
Width B	450.000 mm
Width C	450.000 mm
DUR/DOR F/E	525.000 mm
Type	RX-1
Static Load Rating C_0	9540 kN
Dynamic Load Rating C_1^1	21960 kN
Weight	953.400 lb
Chamfer r_{smin}	5.00 mm
Chamfer r_{1smin}^2	12.7 mm
Angle of Chamfer r_{1smin}	20 °
Backing Shaft Diameter d_s	514.5 mm
Backing Housing Diameter D_s	615.0 mm
Lubrication Groove g	18.0 mm
Lubrication Hole Diameter h	9.0 mm
Number of Lubrication Holes	12
Inner-Ring Set	480ARXS2303B
Outer-Ring Set	525RXS2303

480RX2303B Bearing 2D drawings and 3D CAD models