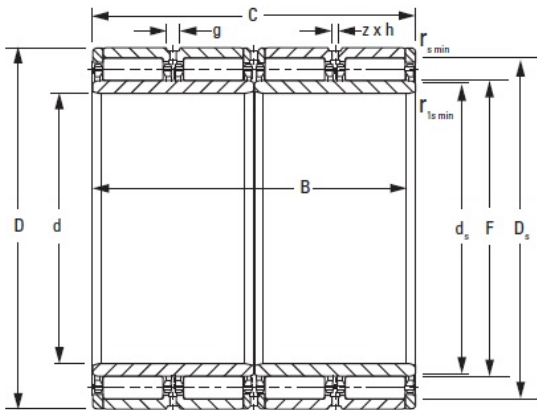




Ldpd Double Row Inc



500RX2422 TIMKEN TAPERED ROLLER BEARINGS

Bearing No. 500RX2422

500RX2422 Bearing 2D drawings and 3D CAD models

Bore d	500.000 mm
O.D. D	710.000 mm
Width B	480.000 mm
Width C	480.000 mm
DUR/DOR F/E	558.000 mm
Type	RX-1
Static Load Rating C_0	10780 kN
Dynamic Load Rating C_1^1	23800 kN
Weight	1357.900 lb
Chamfer r_{smin}	5.00 mm
Chamfer r_{1smin}^2	18.0 mm
Angle of Chamfer r_{1smin}	20 °
Backing Shaft Diameter d_s	545.7 mm
Backing Housing Diameter D_s	662.0 mm
Lubrication Groove g	22.0 mm
Lubrication Hole Diameter h	12.0 mm
Number of Lubrication Holes	12
Inner-Ring Set	500ARXS2422
Outer-Ring Set	558RXS2422