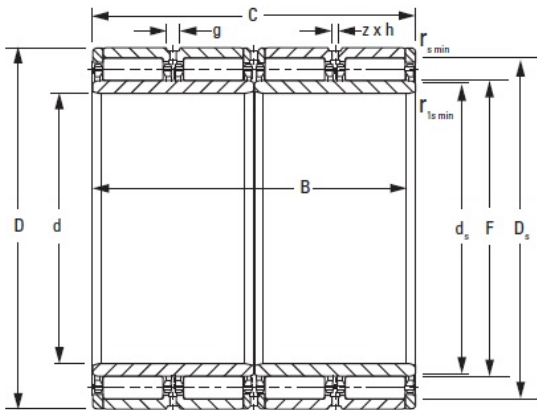




# Ldpd Double Row Inc



## 500RX2443 TIMKEN TAPERED ROLLER BEARINGS

Bearing No. 500RX2443

500RX2443 Bearing 2D drawings and 3D CAD models

|                                |             |
|--------------------------------|-------------|
| Bore d                         | 500.000 mm  |
| O.D. D                         | 720.000 mm  |
| Width B                        | 530.000 mm  |
| Width C                        | 530.000 mm  |
| DUR/DOR F/E                    | 568.000 mm  |
| Type                           | RX-1        |
| Static Load Rating $C_0$       | 12440 kN    |
| Dynamic Load Rating $C_1^1$    | 28680 kN    |
| Weight                         | 1622.000 lb |
| Chamfer $r_{smin}$             | 5.00 mm     |
| Chamfer $r_{1smin}^2$          | 13.0 mm     |
| Angle of Chamfer $r_{1smin}$   | 20 °        |
| Backing Shaft Diameter $d_s$   | 556.6 mm    |
| Backing Housing Diameter $D_s$ | 672.0 mm    |
| Lubrication Groove g           | 22.0 mm     |
| Lubrication Hole Diameter h    | 12.0 mm     |
| Number of Lubrication Holes    | 16          |
| Inner-Ring Set                 | 500ARXS2443 |
| Outer-Ring Set                 | 568RXS2443  |