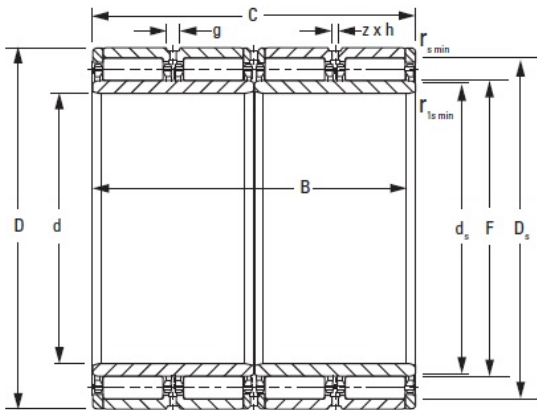




# Ldpd Double Row Inc



## 510RX2364 TIMKEN TAPERED ROLLER BEARINGS

Bearing No. 510RX2364

510RX2364 Bearing 2D drawings and 3D CAD models

Bore d	510.000 mm
O.D. D	680.000 mm
Width B	500.000 mm
Width C	500.000 mm
DUR/DOR F/E	560.000 mm
Type	RX-1
Static Load Rating $C_0$	10280 kN
Dynamic Load Rating $C_1^1$	26040 kN
Weight	1132.200 lb
Chamfer $r_{smin}$	5.00 mm
Chamfer $r_{1smin}^2$	14.0 mm
Angle of Chamfer $r_{1smin}$	20 °
Backing Shaft Diameter $d_s$	549.7 mm
Backing Housing Diameter $D_s$	644.0 mm
Lubrication Groove g	19.3 mm
Lubrication Hole Diameter h	9.5 mm
Number of Lubrication Holes	12
Inner-Ring Set	510ARXS2364
Outer-Ring Set	560RXS2364