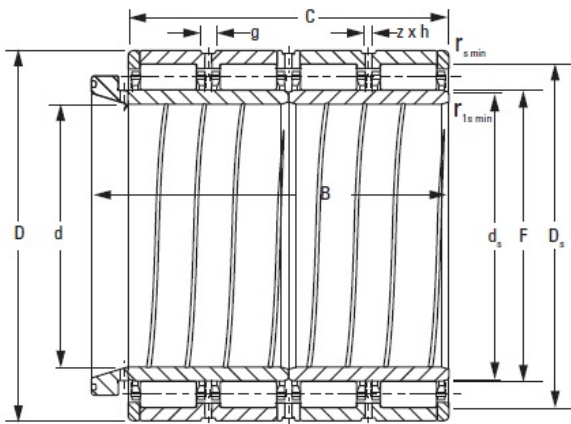




Ldpd Double Row Inc



500RX2345A TIMKEN TAPERED ROLLER BEARINGS

Bearing No. 500RX2345A

500RX2345A Bearing 2D drawings and 3D CAD models

Bore d	500.000 mm
O.D. D	670.000 mm
Width B	485.000 mm
Width C	450.000 mm
DUR/DOR F/E	540.000 mm
Type	RX-4
Static Load Rating C_0	9520 kN
Dynamic Load Rating C_1^1	22200 kN
Weight	1007.300 lb
Chamfer r_{smin}	5.00 mm
Chamfer r_{1smin}^2	12.5 mm
Angle of Chamfer r_{1smin}	20 °
Backing Shaft Diameter d_s	531.0 mm
Backing Housing Diameter D_s	630.0 mm
Lubrication Groove g	19.3 mm
Lubrication Hole Diameter h	9.5 mm
Number of Lubrication Holes	12
Inner-Ring Set	500ARXS2345A
Outer-Ring Set	540RXS2345