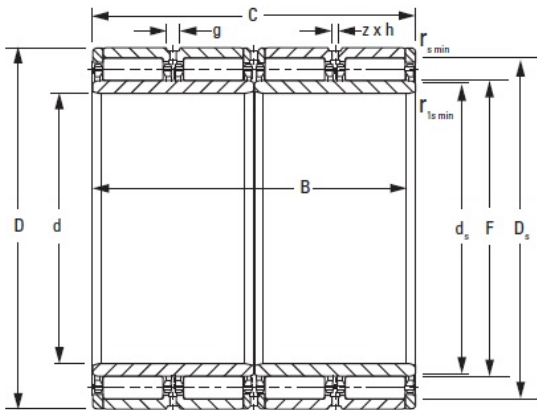




Ldpd Double Row Inc



510RX2461 TIMKEN TAPERED ROLLER BEARINGS

Bearing No. 510RX2461

Bore d	510.000 mm
O.D. D	730.000 mm
Width B	520.000 mm
Width C	520.000 mm
DUR/DOR F/E	569.000 mm
Type	RX-1
Static Load Rating C_0	12680 kN
Dynamic Load Rating C_1^1	27280 kN
Weight	1653.450 lb
Chamfer r_{smin}	5.00 mm
Chamfer r_{1smin}^2	17.5 mm
Angle of Chamfer r_{1smin}	20 °
Backing Shaft Diameter d_s	556.7 mm
Backing Housing Diameter D_s	685.0 mm
Lubrication Groove g	19.3 mm
Lubrication Hole Diameter h	9.5 mm
Number of Lubrication Holes	12
Inner-Ring Set	510ARXS2461
Outer-Ring Set	569RXS2461

510RX2461 Bearing 2D drawings and 3D CAD models