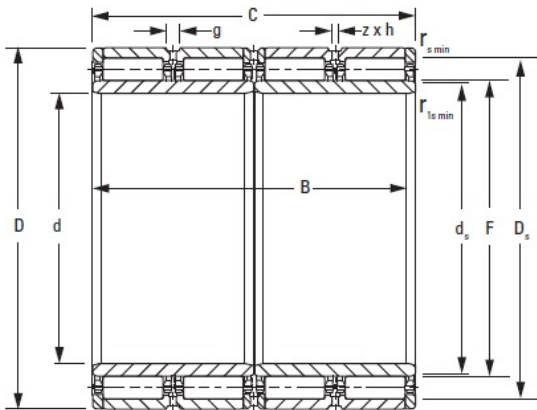




Ldpd Double Row Inc



650RX2803A TIMKEN TAPERED ROLLER BEARINGS

Bearing No. 650RX2803A

Bore d	650.000 mm
O.D. D	900.000 mm
Width B	650.000 mm
Width C	650.000 mm
DUR/DOR F/E	704.000 mm
Type	RX-1
Static Load Rating C_0	18980 kN
Dynamic Load Rating C_1^1	41200 kN
Weight	2738.700 lb
Chamfer r_{smin}	7.50 mm
Chamfer r_{1smin}^2	20.0 mm
Angle of Chamfer r_{1smin}	20 °
Backing Shaft Diameter d_s	686.9 mm
Backing Housing Diameter D_s	850.0 mm
Lubrication Groove g	22.0 mm
Lubrication Hole Diameter h	12.0 mm
Number of Lubrication Holes	16
Inner-Ring Set	650ARXS2803
Outer-Ring Set	704RXS2803

650RX2803A Bearing 2D drawings and 3D CAD models