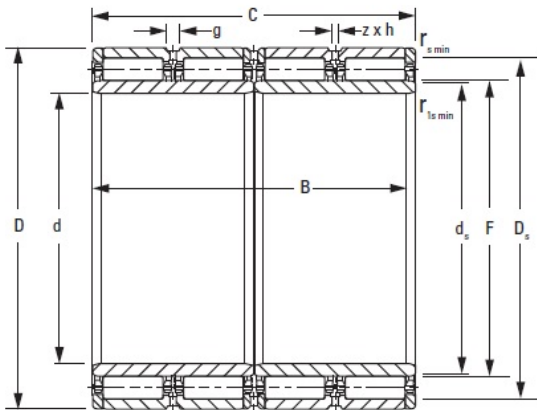




Ldpd Double Row Inc



600RX2744 TIMKEN TAPERED ROLLER BEARINGS

Bearing No. 600RX2744

600RX2744 Bearing 2D drawings and 3D CAD models

| | |
|--------------------------------|-------------|
| Bore d | 600.000 mm |
| O.D. D | 870.000 mm |
| Width B | 640.000 mm |
| Width C | 640.000 mm |
| DUR/DOR F/E | 672.000 mm |
| Type | RX-1 |
| Static Load Rating C_0 | 18040 kN |
| Dynamic Load Rating C_1^1 | 40000 kN |
| Weight | 2891.900 lb |
| Chamfer r_{smin} | 7.50 mm |
| Chamfer r_{1smin}^2 | 20.0 mm |
| Angle of Chamfer r_{1smin} | 20 ° |
| Backing Shaft Diameter d_s | 658.3 mm |
| Backing Housing Diameter D_s | 808.0 mm |
| Lubrication Groove g | 19.3 mm |
| Lubrication Hole Diameter h | 9.5 mm |
| Number of Lubrication Holes | 16 |
| Inner-Ring Set | 600ARXS2744 |
| Outer-Ring Set | 672RXS2744 |