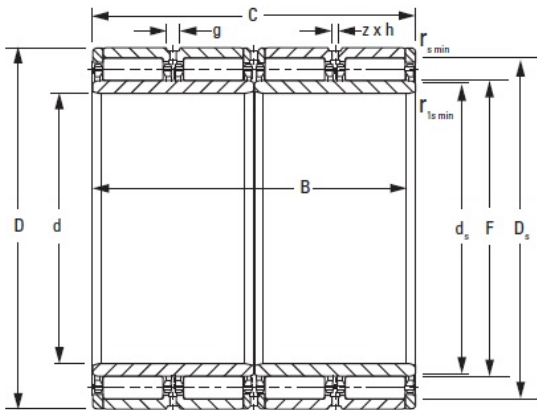




Ldpd Double Row Inc



600RX2643A TIMKEN TAPERED ROLLER BEARINGS

Bearing No. 600RX2643A

Bore d	600.000 mm
O.D. D	820.000 mm
Width B	575.000 mm
Width C	575.000 mm
DUR/DOR F/E	660.000 mm
Type	RX-1
Static Load Rating C_0	14780 kN
Dynamic Load Rating C_1^1	36120 kN
Weight	2035.000 lb
Chamfer r_{smin}	3.00 mm
Chamfer r_{1smin}^2	15.0 mm
Angle of Chamfer r_{1smin}	20 °
Backing Shaft Diameter d_s	648.3 mm
Backing Housing Diameter D_s	770.0 mm
Lubrication Groove g	22.0 mm
Lubrication Hole Diameter h	12.0 mm
Number of Lubrication Holes	16
Inner-Ring Set	600ARXS2643
Outer-Ring Set	660RXS2643A

600RX2643A Bearing 2D drawings and 3D CAD models